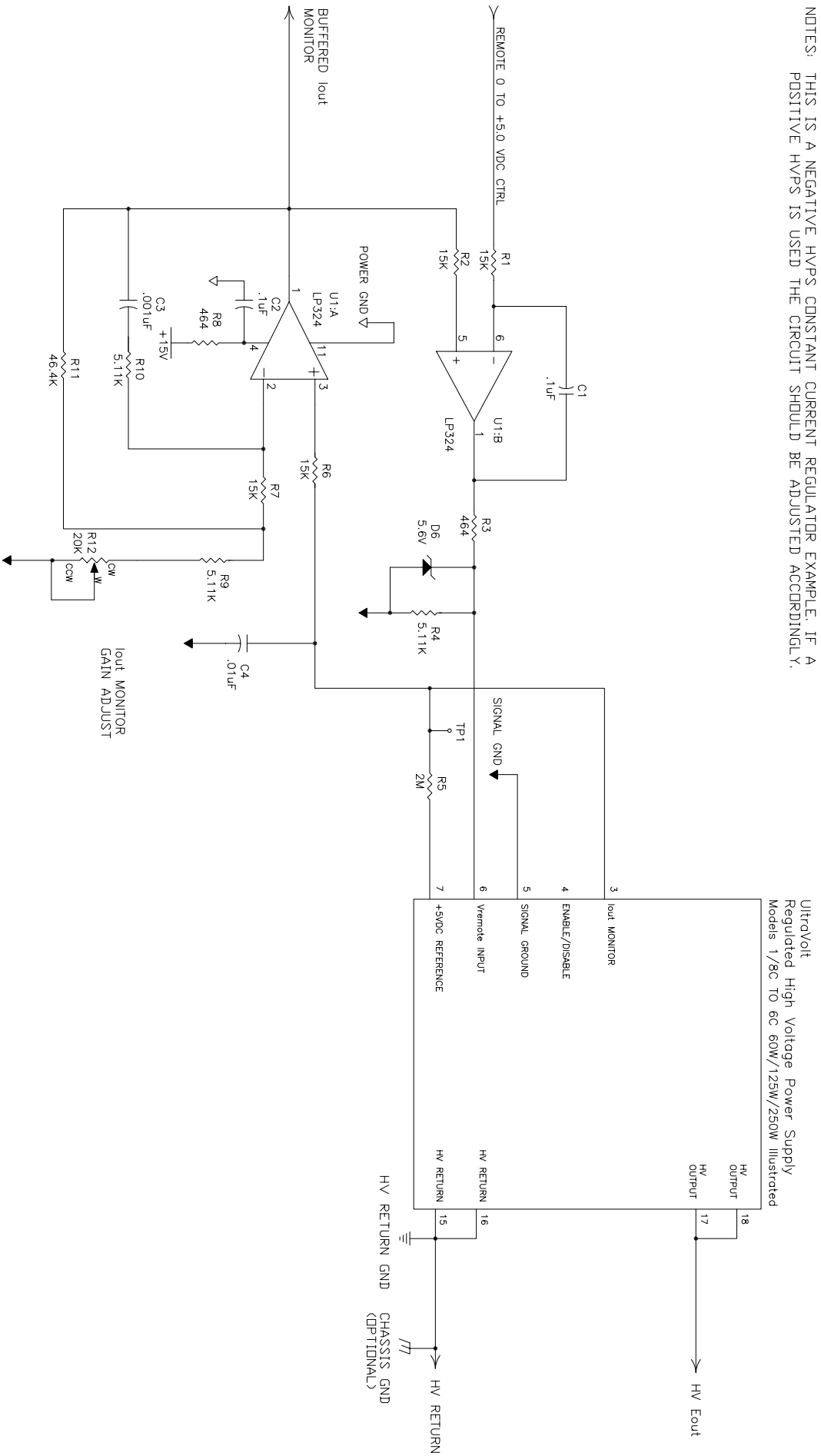
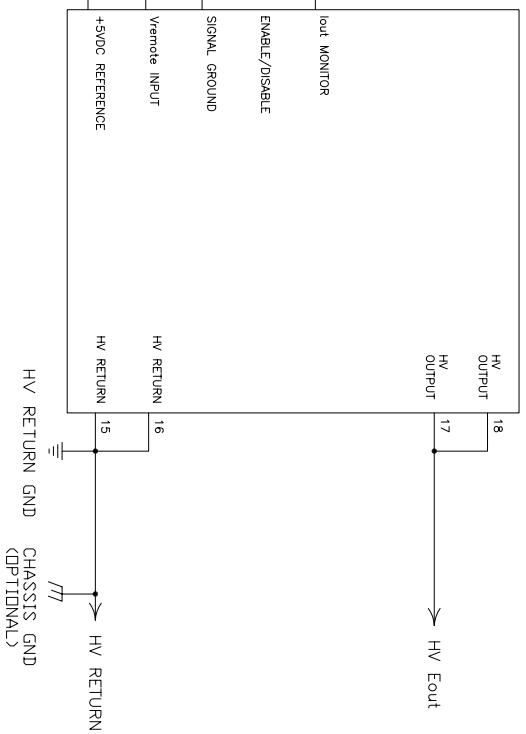


NOTES: THIS IS A NEGATIVE HVPS CONSTANT CURRENT REGULATOR EXAMPLE. IF A POSITIVE HVPS IS USED THE CIRCUIT SHOULD BE ADJUSTED ACCORDINGLY.



UltraVolt  
Regulated High Voltage Power Supply  
Models 1/8C TO 6C 60W/125W/250W Illustrated



Title  
PROGRAMMABLE EXTERNAL CONSTANT CURRENT REGULATOR

UltraVolt, Inc.  
1800 Ocean Ave. Frnt  
Ronkonkoma, NY 11779  
1-631-471-4444

Size	Number	Rev.
A	UV- HVPS-CONN-7	E1
Date	Drawn By	Sheet
6/25/00	M.Z.	1 Of 1
Filename UV-HVPS-CONN-7.ref1.dwg		