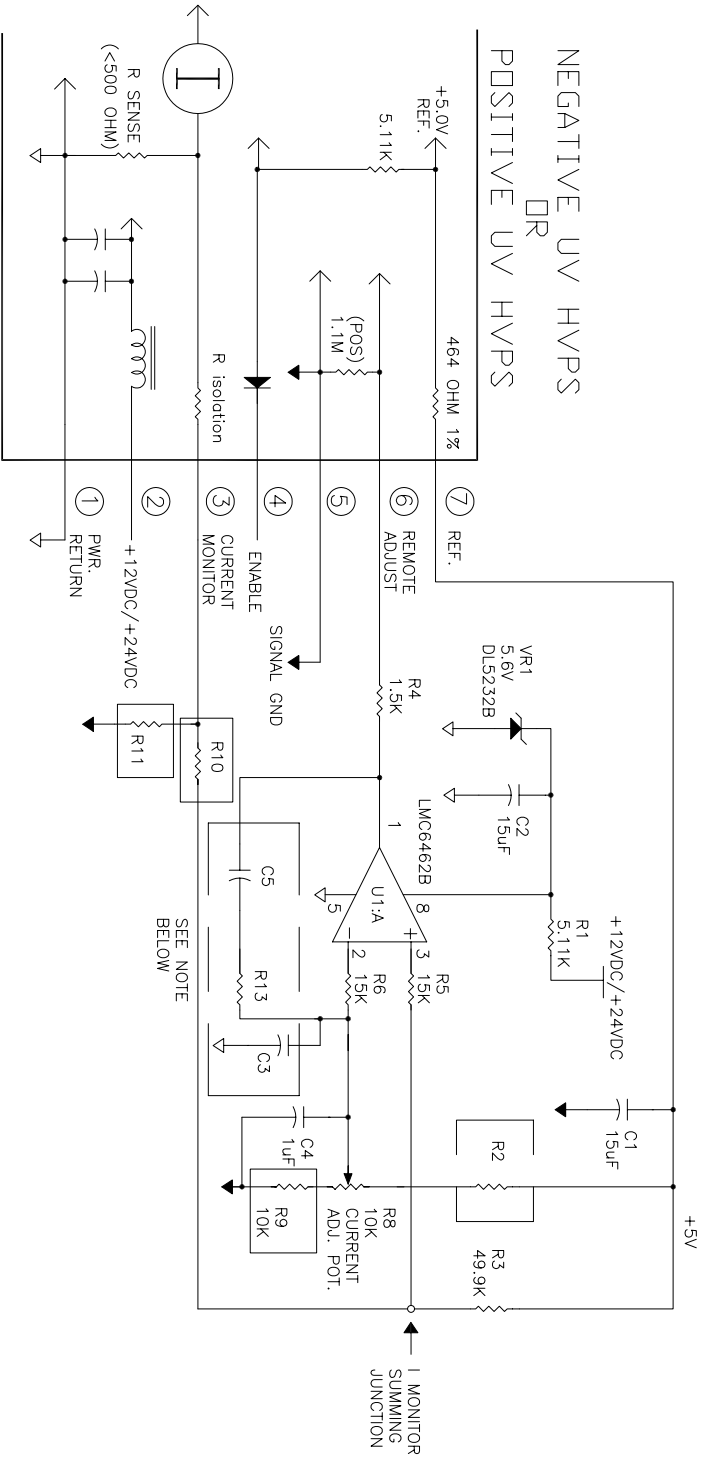


| REV | DESCRIPTION | CHKD | APPD | DATE |
|-----|---------------------|------|------|---------|
| A | INITIAL RELEASE | SH | FG | 5/1/97 |
| B | REVISED EDITION | SH | FG | 10/7/98 |
| C | REVISED EDITION | SH | FG | 1/4/98 |
| D | REVISED EDITION | SH | FG | 6/21/00 |
| D1 | REVISED TITLE BLOCK | SRD | | 12/1/03 |

NEGATIVE UV HVPS
OR
POSITIVE UV HVPS



| MODEL | HVPS ISOLATION | NEGATIVE HVPS I MONITOR | POSITIVE HVPS I MONITOR | R10 | R9 | R2 | R11 | R8 RANGE | N | P |
|--------------|-------------------|----------------------------|----------------------------|-------|------|------|-----|----------------|----------------|----------------|
| 1/8 A TO 6 A | 15K | 0 TO +100mV | 0 TO -100mV | 0 Dhm | 6.8K | 22K | -- | +0.88 TO +2.16 | +1.15 TO +1.23 | +1.15 TO +1.07 |
| 10 A TO 35 A | 15K | 0 TO +8V | 0 TO -8V | 36K | 330 | 330 | 15K | +0.15 TO +4.85 | +2.32 TO +4.47 | +2.32 TO +0.20 |
| HIGH C | 5.11K | 0 TO +1.6V | 0 TO -1.6V | 22K | 1.5K | 6.8K | -- | +0.41 TO +3.14 | +1.76 TO +2.79 | +1.76 TO +0.71 |
| LDV C | 0 Dhms | 0 TO +100mV | 0 TO -100mV | 15K | 6.8K | 22K | -- | +0.88 TO +2.16 | +1.15 TO +1.23 | +1.15 TO +1.07 |

NOTE: TYPICAL VALUES FOR AC COMPENSATION NETWORK ARE: C5(0.1 uF), C3(0.01uF), R13(100K)

THIS FULL RANGE IS NOT IN USE BY ALL MODELS.

TITLE: BASIC EXTERNAL CONSTANT CURRENT REGULATOR

| | | |
|----------|---------------------------|----------|
| Size | Number | Rev. |
| A | UV - HVPS - CONN - 10 | D1 |
| Date | 6/14/00 | Drawn By |
| Filename | UV-HVPS-CONN-10.rpt(14mg) | Sheet |
| | | 1 Of 1 |

UltraVolt, Inc.
1800 Ocean Ave. Frnt
Ronkonkoma, NY 11779
1-631-471-4444