

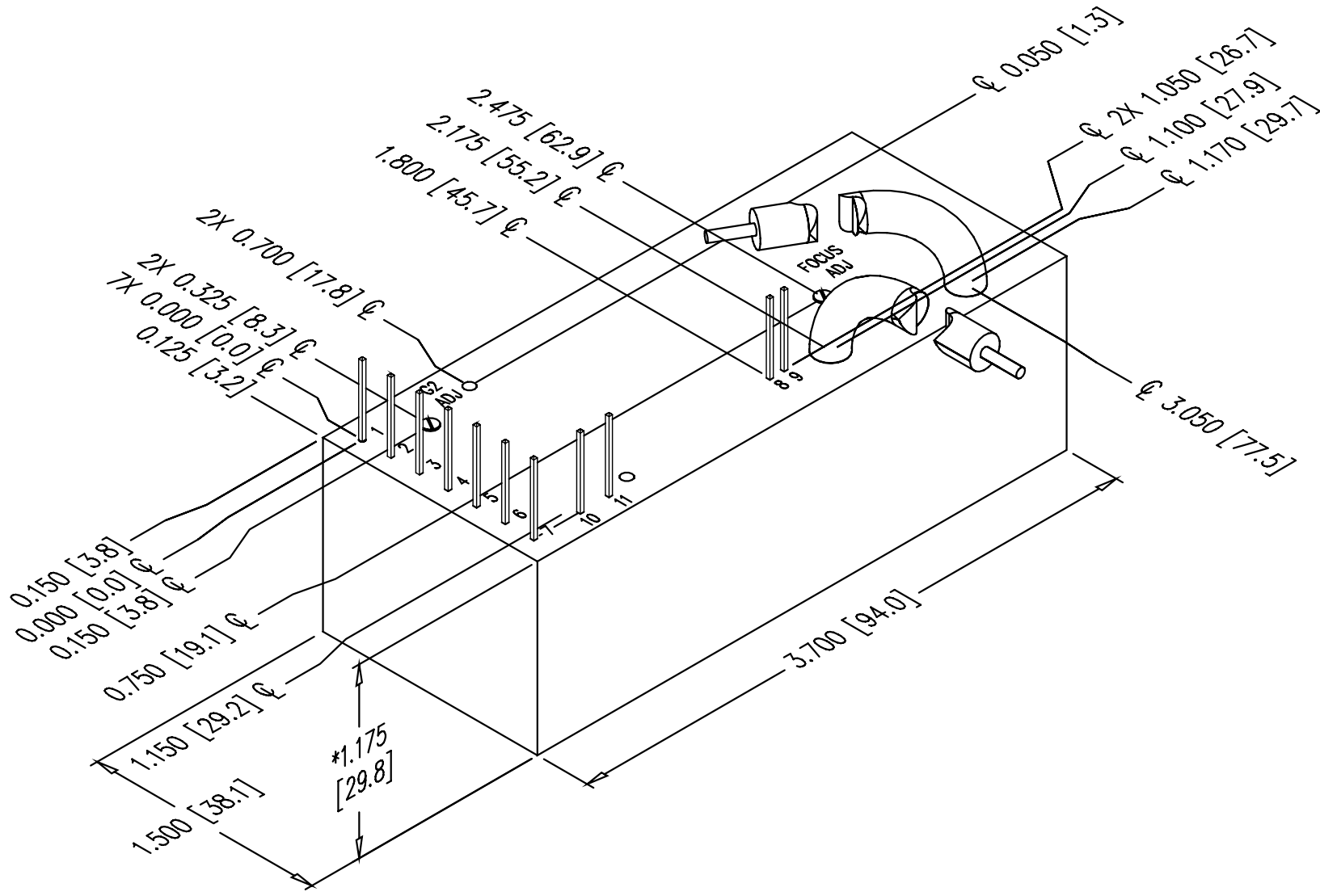
2



PROPRIETARY STATEMENT: ULTRAVOLT INC.
CONFIDENTIAL DRAWING

REVISIONS				
LTR	DESCRIPTION	BY	DATE	APPD
A	NEW RELEASE	D.S.	97/06/03	J.M.
B	.18 DIM WAS .21, 4.14 WAS 4.10 2.025 WAS 2.05, 1.925 WAS 1.95, .30 WAS .32, .825 WAS .85, .125 WAS .15	D.S.	98/01/06	J.M.
C	REVISED CALLOUTS LOCATIONS	D.S.	98/11/18	J.M.
D	ADDED TITLE UNDER OUTLINE	D.S.	99/05/25	J.M.
E	ADDED METRIC DIMENSIONS	J.T.	99/8/16	J.M.
F	REVISED PER ECO #2743	SRO	3/1/02	D.P.
G	REVISED PER ECO #UV3135	SG	12/04/03	SRO
H	REVISED PER ECO #UV3245	RG	10/11/05	S.O.

B

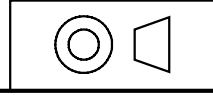


NOTES:

- 1- PINS:
 - A- MATERIAL: GOLD PLATED 0.025 [0.64] SQ.
 - B- TH CENTER OF THE PINS AND MOUNTING HOLES ARE LOCATED FROM THE CENTER OF PIN
 - C- PINS 1 THRU 7 SPACING 0.200 [5.08] ON CENTER, HEIGHT FROM COVER 0.280 [7.11]
 - D- PINS 8, 9 SPACING 0.100 [2.54] ON CENTER, HEIGHT FROM COVER 0.280 [7.11] MIN
 - E- PINS 10, 11 SPACING 0.200 [5.08] ON CENTER, HEIGHT FROM COVER 0.280 [7.11] MIN
- 2- MOUNTING:
 - A- 2-56 X 0.30 [7.62] DP UNC-2B THD 2 PLACES.
 - B- THREADED POST MAY NOT BE FLUSH TO COVER.
- 3- FLYING LEAD:
 - A- 10KV WHITE Ø0.187 [Ø4.8] MAX. APPROX. 18.00 [457.2] LONG.
 - B- 30KV OR 40KV RED Ø0.210 [Ø5.3] MAX. APPROX. 18.00 [457.2] LONG.
- 4- CONSTRUCTION:
 - EPOXY FILLED DAP BOX CERTIFIED TO ASTM-D-5948
- 5- TOLERANCE:
 - A- OVERALL +/-0.050 [1.27]
 - B- PIN TO PIN +/-0.015 [0.38]
 - C- MOUNTING HOLE LOCATION +/-0.025 [0.64]
- *6- 20 & 30 WATT VERSIONS ARE AN ADDITIONAL 0.062 [1.57] IN HEIGHT.
- *7- -M EQUIPPED UNITS ARE AN ADDITIONAL 0.030 [0.76] IN HEIGHT.

A

A



UNLESS OTHERWISE SPECIFIED DIMENSION ARE IN INCHES TOLERANCES ARE: 2 PL DEC ± .02 FRACT ± 1/64 3 PL DEC ± .010 ANGLES ± 2'			CUSTOMER		ULTRAVOLT, INC. 1800 OCEAN AVE. FRNT, RONKONKOMA, N.Y. 11779 1-631-471-4444
			DRAWN	S. Orban	
HOLE DIA			CHKD	D. Parant	3/20/02
			TOLERANCES		MFG
DASH NUMBER			MFG ENGR		N/A
			NEXT ASSY		PROCESS
USED ON			QA		N/A
			APPLICATION		CHIEF ENG
1.001 THRU 2.000			CFN: OL-029_revH_10A_AUX.dwg		B PART NUMBER: OL-029 REV H
			SCALE	NONE	DO NOT SCALE THIS DRAWING
			SHEET 1 OF 1		

2



1