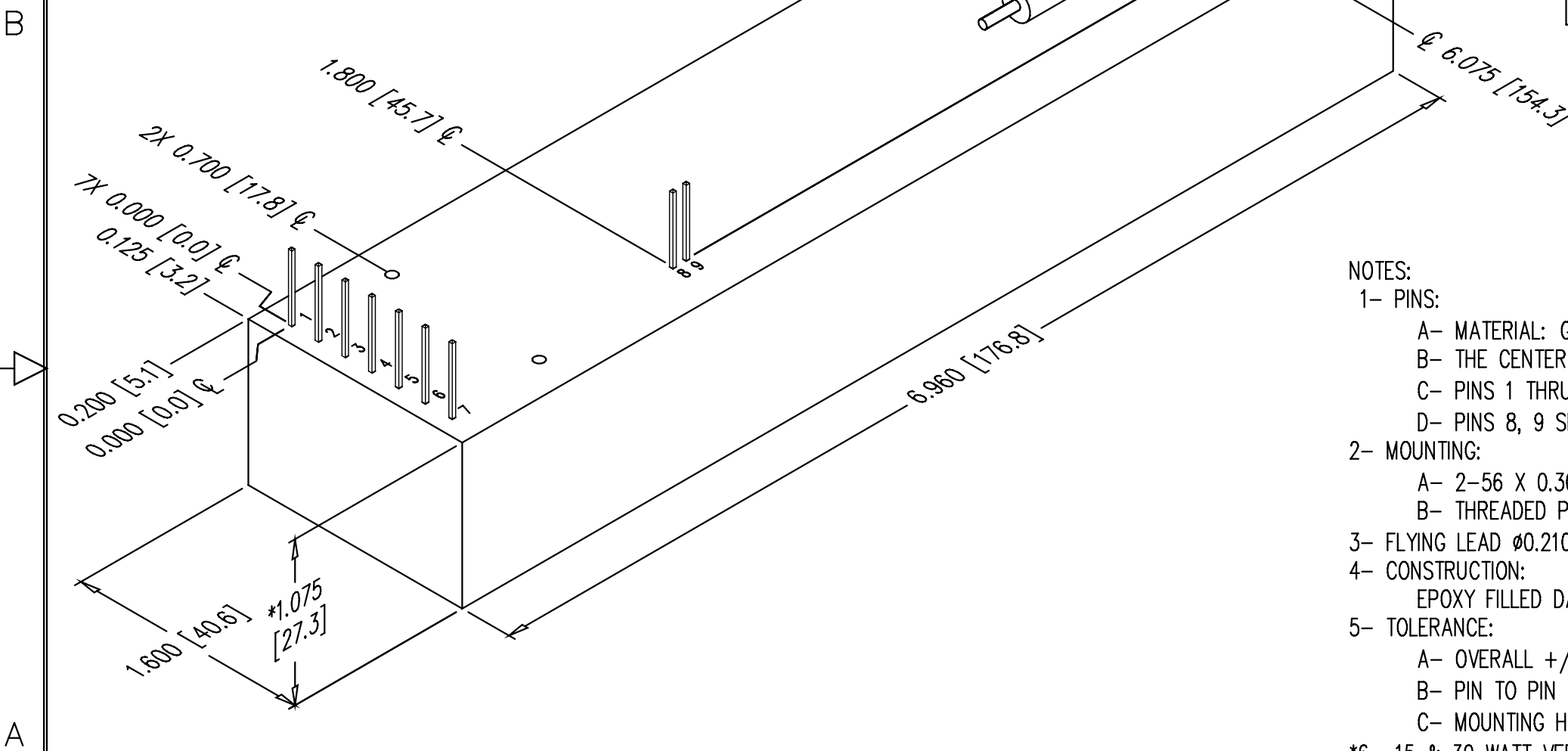


0.00" 0.25" 0.50" 0.75" 1.00" 1.25" 1.50" 1.75" 2.00"

PROPRIETARY STATEMENT: ULTRAVOLT INC.
CONFIDENTIAL DRAWING

B PART NUMBER: OL-017 REV J SH 1

REVISIONS				
LTR	DESCRIPTION	BY	DATE	APPD
A	NEW RELEASE	D.S.	2/4/99	J.M.
B	6.2 DIM WAS 6.1, ADDED FUTURE MTG HOLES AND CALLOUT TO 1.075 DIM	D.S.	10/29/97	J.M.
C	CHANGED #2-56 HOLES TO 4 PLACES AND CHANGED FROM .3 TO .25 MIN, REMOVED .06 DIM FOR -E, .825 DIM WAS .85	D.S.	12/23/97	J.M.
D	ADDED TITLE TO PICTURE	D.S.	4/5/99	J.M.
E	ADDED METRIC DIM AS PER ECO #1935	J.T.	2/17/00	J.M.
F	REVISED PER ECO #2137	D.S.	01/12/18	J.M.
G	REVISED PER ECO #2743	SRO	3/1/02	D.P.
H	REVISED PER ECO #UV3136	SG	11/25/03	SRO
J	REVISED PER ECO #UV3245	RG	10/11/05	S.O.



- NOTES:
- 1- PINS:
 - A- MATERIAL: GOLD PLATED 0.025 [0.64] SQ.
 - B- THE CENTER OF THE PINS AND MOUNTING HOLES ARE LOCATED FROM THE CENTER OF PIN 1.
 - C- PINS 1 THRU 7 SPACING 0.200 [5.08] ON CENTER, HEIGHT FROM COVER 0.370 [9.4] MIN
 - D- PINS 8, 9 SPACING 0.100 [2.54] ON CENTER, HEIGHT FROM COVER 0.370 [9.4] MIN
 - 2- MOUNTING:
 - A- 2-56 X 0.30 [7.62] DP UNC-2B THD 4 PLACES.
 - B- THREADED POST MAY NOT BE FLUSH TO COVER.
 - 3- FLYING LEAD ϕ 0.210 [ϕ 5.33] MAX. APPROX. 18.00 [457.2] LONG
 - 4- CONSTRUCTION:
 - EPOXY FILLED DAP BOX CERTIFIED TO ASTM-D-5948
 - 5- TOLERANCE:
 - A- OVERALL +/-0.050 [1.27]
 - B- PIN TO PIN +/-0.015 [0.38]
 - C- MOUNTING HOLE LOCATION +/- 0.025 [0.64]
 - *6- 15 & 30 WATT VERSIONS ARE AN ADDITIONAL 0.062 [1.57] IN HEIGHT.
 - *7- -M EQUIPPED UNITS ARE AN ADDITIONAL 0.030 [0.76] IN HEIGHT.

DASH NUMBER	NEXT ASSY	USED ON
APPLICATION		

HOLE DIA	TOLERANCES
.0135 THRU .125	+ .004 - .004
.126 THRU .250	+ .005 - .005
.251 THRU .500	+ .006 - .006
.501 THRU .750	+ .008 - .008
.751 THRU 1.000	+ .010 - .010
1.001 THRU 2.000	+ .012 - .012

UNLESS OTHERWISE SPECIFIED DIMENSION ARE IN INCHES TOLERANCES ARE:		CUSTOMER	
2 PL DEC ± .02	FRACT ± 1/64	DRAWN	S. Orban
3 PL DEC ± .010	ANGLES ± 2'	CHKD	D. Parant
		MFG	N/A
		MFG ENGR	N/A
		PROCESS	N/A
		QA	N/A
		CHIEF ENG	N/A
		DATE	02/04/02
			3/20/02
		CFN: OL-017_revJ_25A-35A.dwg	

ULTRAVOLT, INC.
1800 OCEAN AVE. FRNT, RONKONKOMA, N.Y. 11779
1-631-471-4444

OUTLINE
25A / 30A / 35A SERIES

PART NUMBER: OL-017 REV J

SCALE NONE DO NOT SCALE THIS DRAWING SHEET 1 OF 1