

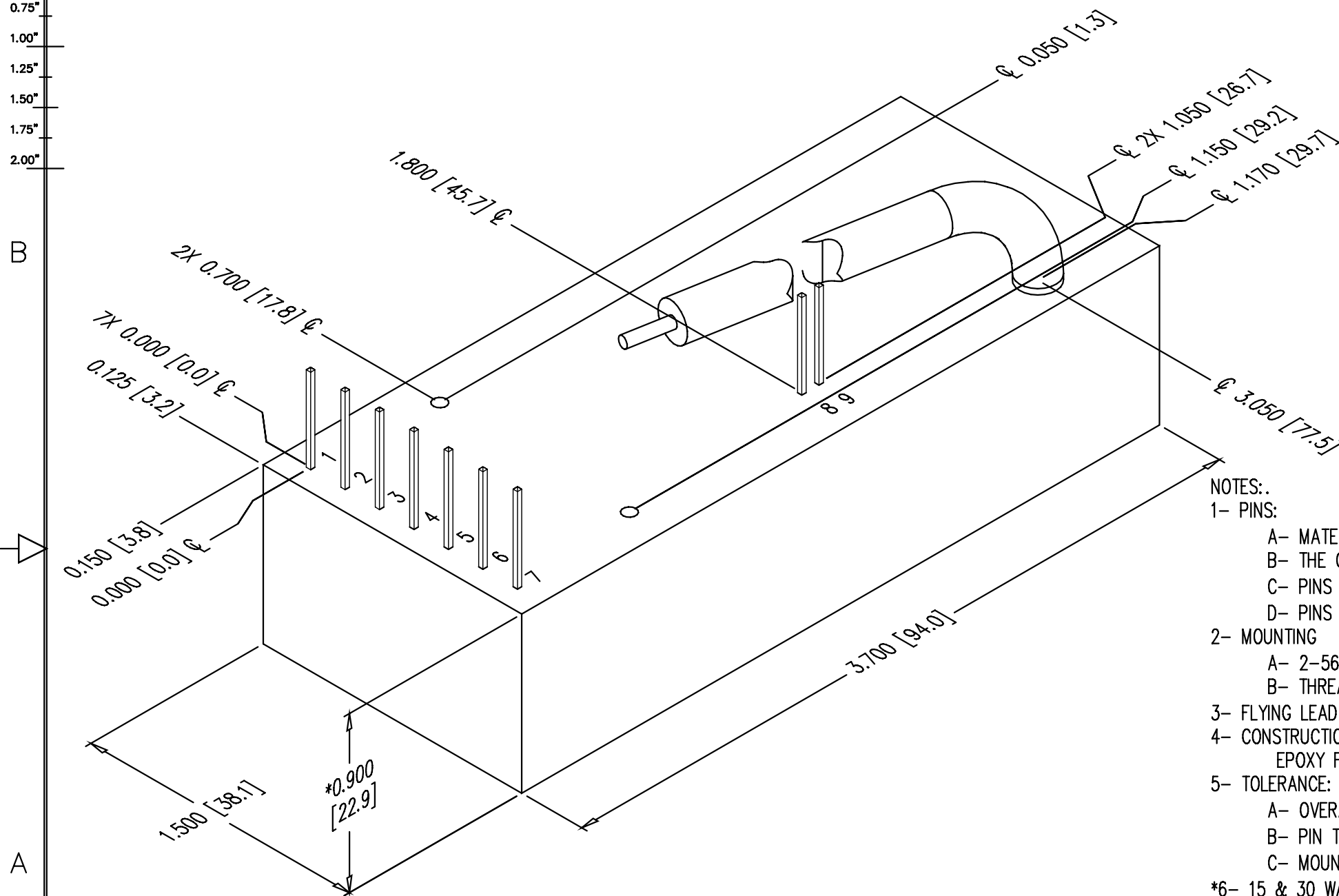
0.00" 0.25" 0.50" 0.75" 1.00" 1.25" 1.50" 1.75" 2.00"

2

PROPRIETARY STATEMENT: ULTRAVOLT INC.  
CONFIDENTIAL DRAWING

B PART NUMBER: OL-014 REV H SH 1

REVISIONS				
LTR	DESCRIPTION	BY	DATE	APPD
A	NEW RELEASE	D.S.	12/15/97	J.M.
B	.825 DIM WAS .85	D.S.	12/22/97	J.M.
C	ADDED TITLE TO PICTURE	D.S.	4/5/99	J.M.
D	ADDED METRIC DIM AS PER ECO #1935	J.T.	2/17/00	J.M.
E	ADDED DWG NO. PER ECO #2137	D.S.	01/12/05	J.M.
F	REVISED PER ECO #2743	SRO	3/1/02	D.P.
G	REVISED PER ECO #JV3135	SG	12/04/03	SRO
H	REVISED PER ECO #JV3245	RG	10/10/05	S.O.



NOTES:

1- PINS:  
 A- MATERIAL: GOLD PLATED 0.025 [0.64] SQ  
 B- THE CENTER OF THE PINS AND MOUNTING HOLES ARE LOCATED FROM CENTER OF PIN 1.  
 C- PINS 1 THRU 7 SPACING 0.200 [5.08] ON CENTER, HEIGHT FROM COVER 0.470 [11.7] MIN.  
 D- PINS 8, 9 SPACING 0.100 [2.54] ON CENTER, HEIGHT FROM COVER 0.470 [11.7] MIN.

2- MOUNTING  
 A- 2-56 X 0.30 [7.62] DP UNC-2B THD 2 PLACES.  
 B- THREADED POST MAY NOT BE FLUSH TO COVER.

3- FLYING LEAD  $\phi$ 0.187 [ $\phi$ 4.8] MAX. APPROX. 18.00 [457.2] LONG.

4- CONSTRUCTION:  
 EPOXY FILLED DAP BOX CERTIFIED TO ASTM-D-5948.

5- TOLERANCE:  
 A- OVERALL +/-0.050 [1.27]  
 B- PIN TO PIN +/-0.015 [0.38]  
 C- MOUNTING HOLE LOCATION +/-0.025 [0.64]

\*6- 15 & 30 WATT VERSIONS ARE AN ADDITIONAL 0.062 [1.57] IN HEIGHT.  
 \*7- -M EQUIPPED UNITS ARE AN ADDITIONAL 0.030 [0.76] IN HEIGHT.

UNLESS OTHERWISE SPECIFIED DIMENSION ARE IN INCHES TOLERANCES ARE: 2 PL DEC ± .02 FRACT ± 1/64 3 PL DEC ± .010 ANGLES ± 2°			CUSTOMER		<b>ULTRAVOLT, INC.</b> 1800 OCEAN AVE. FRNT, RONKONKOMA, N.Y. 11779 1-831-471-4444
DASH NUMBER	NEXT ASSY	USED ON	DRAWN	DATE	
			S. Orban	02/04/02	OUTLINE 10A SERIES
			CHKD	3/20/02	
			MFG	N/A	PART NUMBER: OL-014 REV H
			MFG ENGR	N/A	
			PROCESS	N/A	SCALE NONE DO NOT SCALE THIS DRAWING SHEET 1 OF 1
			QA	N/A	
			CHIEF ENG	N/A	
APPLICATION			DRW: OL-014_revH_10A.dwg		