

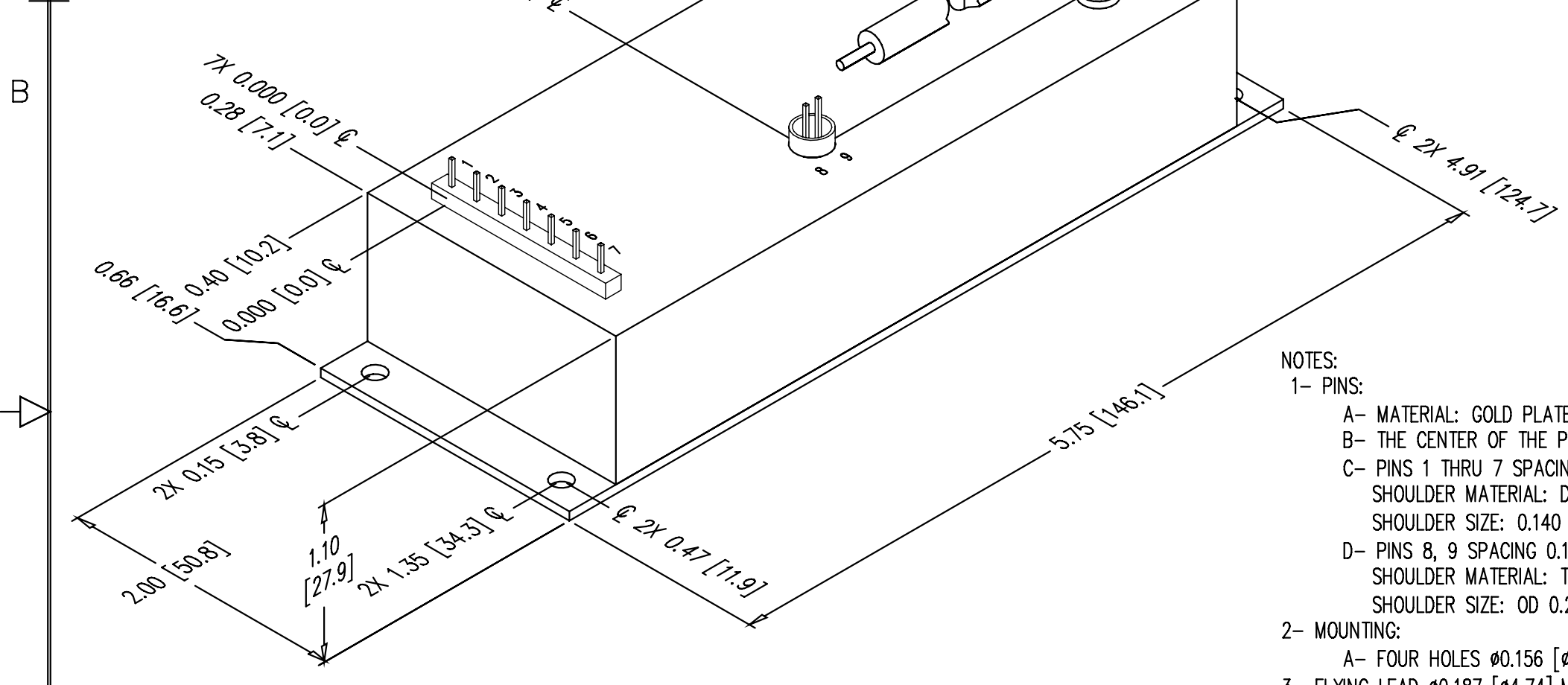
0.00" 0.25" 0.50" 0.75" 1.00" 1.25" 1.50" 1.75" 2.00"

2

PROPRIETARY STATEMENT: ULTRAVOLT INC.
CONFIDENTIAL DRAWING

B PART NUMBER: OL-006 REV F SH 1

REVISIONS				
LTR	DESCRIPTION	BY	DATE	APPD
A	NEW RELEASE	D.S.	98/01/08	J.M.
B	ADDED 7 PIN CONNECTOR BLOCK	D.S.	99/05/27	J.M.
C	ADDED P/N & METRIC DIMS	D.S.	01/11/28	J.M.
D	REVISED PER ECO #2743	SRO	3/1/02	D.P.
E	REVISED PER ECO #JV3135	SG	12/02/03	SRO
F	REVISED PER ECO #JV3247	RG	11/12/05	S.O.



NOTES:

1- PINS:
 A- MATERIAL: GOLD PLATED 0.025 [0.64] SQ.
 B- THE CENTER OF THE PINS AND MOUNTING HOLES ARE LOCATED FROM THE CENTER OF PIN 1.
 C- PINS 1 THRU 7 SPACING 0.200 [5.08] ON CENTER, HEIGHT FROM COVER 0.350 [8.9] MIN.
 SHOULDER MATERIAL: DIALLYL PHTHALATE. 94V0.
 SHOULDER SIZE: 0.140 [3.5] X 1.400 [35.56] X 0.060 [1.5] HEIGHT FROM COVER.
 D- PINS 8, 9 SPACING 0.100 [2.54] ON CENTER, HEIGHT FROM COVER 0.350 [8.9] MIN.
 SHOULDER MATERIAL: TEFLON.
 SHOULDER SIZE: OD 0.27 [6.86] X ID 0.23 [5.71] X 0.200[5.0] MIN HEIGHT FROM COVER.

2- MOUNTING:
 A- FOUR HOLES $\phi 0.156$ [$\phi 3.96$] THROUGH A 0.062 [1.57] THK PLATE.
 3- FLYING LEAD $\phi 0.187$ [$\phi 4.74$] MAX. APPROX. 18.00 [457.2] LONG.

4- CONSTRUCTION:
 EPOXY FILLED ALUMINUM BOX CHEM FILM PER MIL-C-5541 CLASS 1A.

5- TOLERANCE:
 A- OVERALL +/-0.050 [1.27]
 B- PIN TO PIN +/-0.015 [0.38]

A

A

UNLESS OTHERWISE SPECIFIED DIMENSION ARE IN INCHES TOLERANCES ARE: 2 PL DEC ± .02 FRACT ± 1/64 3 PL DEC ± .010 ANGLES ± 2°			CUSTOMER	
HOLE DIA			DRAWN	DATE
.0135 THRU .125			S. Orban	02/04/02
.126 THRU .250			CHKD	3/20/02
.251 THRU .500			MFG	N/A
.501 THRU .750			MFG ENGR	N/A
.751 THRU 1.000			PROCESS	N/A
1.001 THRU 2.000			QA	N/A
DASH NUMBER			CHIEF ENG	N/A
NEXT ASSY			OFF: OL-006_revF_15A_CAN.dwg	
USED ON			SCALE NONE	
APPLICATION			DO NOT SCALE THIS DRAWING	

ULTRAVOLT, INC.
 1800 OCEAN AVE. FRNT, RONKONKOMA, N.Y. 11779
 1-831-471-4444

OUTLINE
 15A SERIES
 METAL CASE

PART NUMBER: OL-006 REV F

SHEET 1 OF 1

2

1