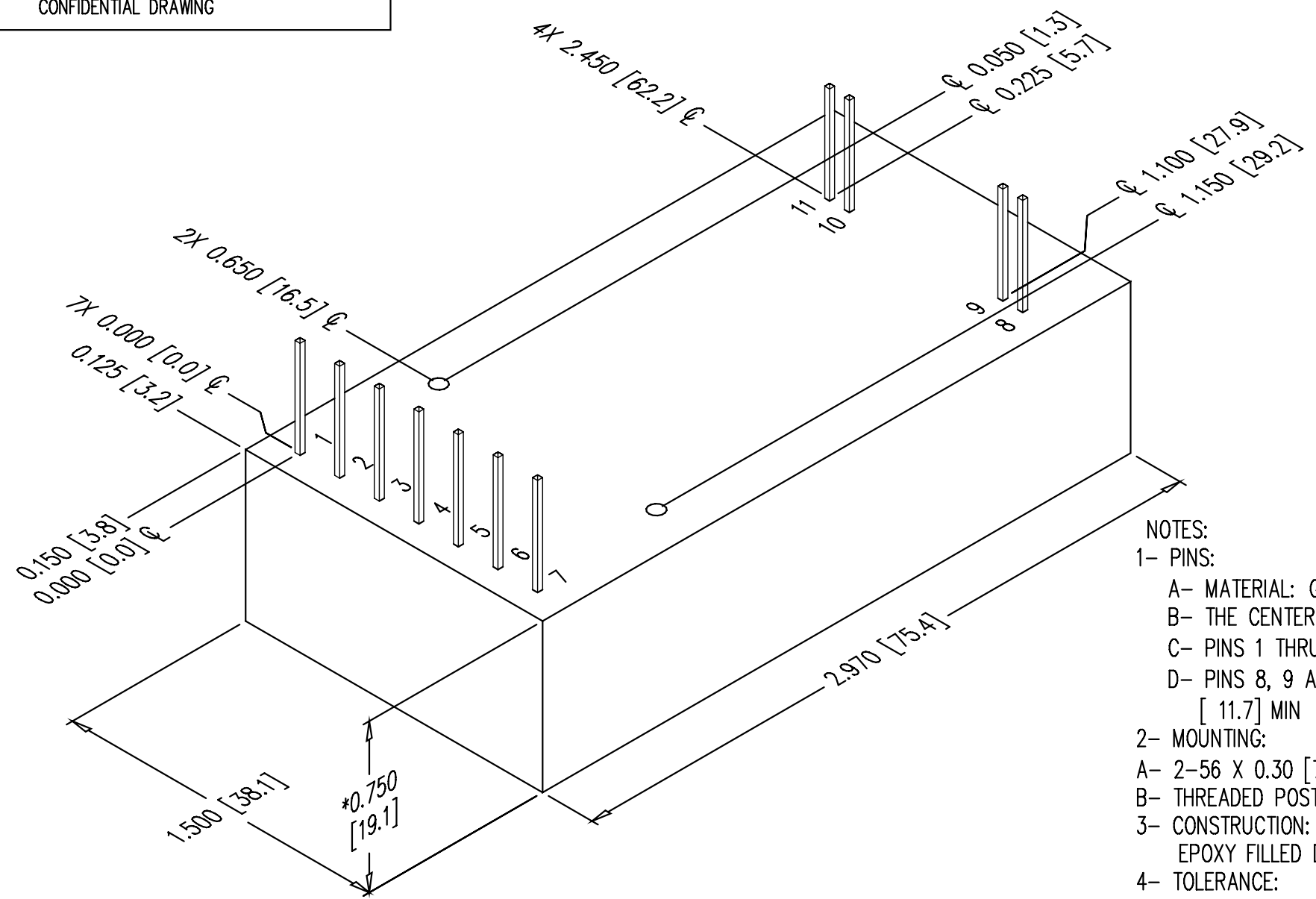


0.00" 0.25" 0.50" 0.75" 1.00" 1.25" 1.50" 1.75" 2.00"

PROPRIETARY STATEMENT: ULTRAVOLT INC.
CONFIDENTIAL DRAWING

B PART NUMBER: OL-002 REV H SH 1

REVISIONS				
LTR	DESCRIPTION	BY	DATE	APPD
A	NEW RELEASE	D.S.	2/4/99	J.M.
B	ADDED METRIC DIM AS PER #ECO 1935	JT	2/17/00	J.M.
C	REVISED PER ECO #2137	D.S.	1-11-28	J.M.
D	REVISED PER ECO #JV2690	SRO	2-28-02	SRO
E	REVISED PER ECO #JV2743	SRO	10-7-05	DP
F	REVISED PER ECO #JV2928	SRO	10-7-05	DP
G	REVISED PER ECO #JV3135	SG	102/04/03	SRO
H	REVISED PER ECO #JV3245	RG	10/12/05	S.O.



- NOTES:
- 1- PINS:
 - A- MATERIAL: GOLD PLATED 0.025 [0.64] SQ.
 - B- THE CENTER OF THE PINS AND MOUNTING HOLES ARE LOCATED FROM THE CENTER OF PIN 1
 - C- PINS 1 THRU 7 SPACING 0.200 [5.08] ON CENTER, HEIGHT FROM COVER 0.470 [11.7] MIN.
 - D- PINS 8, 9 AND 10, 11 SPACING 0.100 [2.54] ON CENTER, HEIGHT FROM COVER .0.470 [11.7] MIN
 - 2- MOUNTING:
 - A- 2-56 X 0.30 [7.62] DP UNC-2B THD 2 PLACES.
 - B- THREADED POST MAY NOT BE FLUSH TO COVER.
 - 3- CONSTRUCTION:
 - EPOXY FILLED DAP BOX CERTIFIED TO ASTM-D-5948
 - 4- TOLERANCE:
 - A- OVERALL +/-0.050 [1.27]
 - B- PIN TO PIN +/-0.015 [0.38]
 - C- MOUNTING HOLE LOCATION +/- 0.025 [0.64]
 - *5- 20 & 30 WATT VERSIONS ARE AN ADDITIONAL 0.062 [1.57] IN HEIGHT.
 - *6- -M EQUIPPED UNITS ARE AN ADDITIONAL 0.030 [0.76] IN HEIGHT.

B
A

B
A

UNLESS OTHERWISE SPECIFIED DIMENSION ARE IN INCHES TOLERANCES ARE:		CUSTOMER	
2 PL DEC ± .02	FRACT ± 1/64	DRAWN	S. Orban
3 PL DEC ± .010	ANGLES ± 2'	DATE	02/04/02
		CHKD	D. Parant
			3/20/02
		MFG	N/A
		MFG ENGR	N/A
		PROCESS	N/A
		QA	N/A
		CHIEF ENG	N/A
		CFN: OL-002_revH_40A.dwg	

ULTRAVOLT, INC.
1800 OCEAN AVE. FRNT, RONKONKOMA, N.Y. 11779
1-631-471-4444

OUTLINE
AA SERIES

PART NUMBER: OL-002 REV H

SCALE NONE DO NOT SCALE THIS DRAWING SHEET 1 OF 1

DASH NUMBER	NEXT ASSY	USED ON
		APPLICATION

2

2

1