

0.00" 0.25" 0.50" 0.75" 1.00" 1.25" 1.50" 1.75" 2.00"

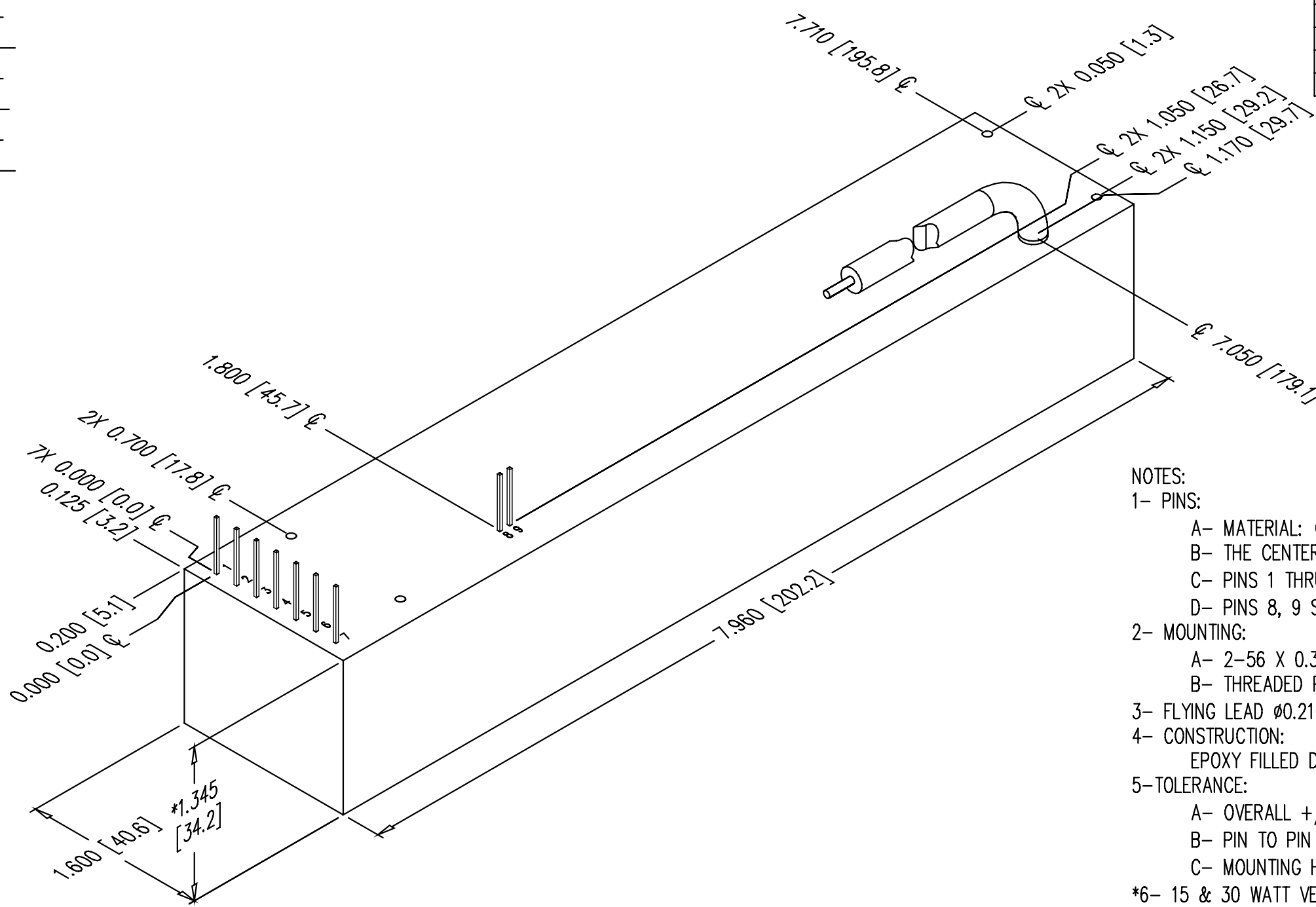
PROPRIETARY STATEMENT: ULTRAVOLT INC.
CONFIDENTIAL DRAWING

B PART NUMBER: OL-001 REV E SH 1

| REVISIONS | | | | |
|-----------|-------------------------|------|----------|------|
| LTR | DESCRIPTION | BY | DATE | APPD |
| A | NEW RELEASE | D.S. | 2/4/99 | J.M. |
| B | REVISED PER ECO #2137 | D.S. | 01-12-18 | J.M. |
| C | REVISED PER ECO #2743 | SRO | 3/1/02 | D.P. |
| D | REVISED PER ECO #JV3135 | SG | 11/25/03 | SRO |
| E | REVISED PER ECO #JV3245 | RG | 10/7/05 | SRO |

B

A



NOTES:
 1- PINS:
 A- MATERIAL: GOLD PLATED 0.025 [0.64] SQ.
 B- THE CENTER OF THE PINS AND MOUNTING HOLES ARE LOCATED FROM THE CENTER OF PIN 1.
 C- PINS 1 THRU 7 SPACING 0.200 [5.08] ON CENTER, HEIGHT FROM COVER 0.470 [11.7] MIN
 D- PINS 8, 9 SPACING 0.100 [2.54] ON CENTER, HEIGHT FROM COVER 0.470 [11.7] MIN
 2- MOUNTING:
 A- 2-56 X 0.30 [7.62] DP UNC-2B THD 4 PLACES.
 B- THREADED POST MAY NOT BE FLUSH TO COVER.
 3- FLYING LEAD ϕ 0.210 [ϕ 5.3] MAX. APPROX. 18.00 [457.2] LONG
 4- CONSTRUCTION:
 EPOXY FILLED DAP BOX CERTIFIED TO ASTM-D-5948
 5-TOLERANCE:
 A- OVERALL +/-0.050 [1.27]
 B- PIN TO PIN +/-0.015 [.38]
 C- MOUNTING HOLE LOCATION +/- 0.025 [0.64]
 *6- 15 & 30 WATT VERSIONS ARE AN ADDITIONAL 0.062 [1.57] IN HEIGHT.
 *7- -M EQUIPPED UNITS ARE AN ADDITIONAL 0.030 [.76] IN HEIGHT.



| | | | | | | |
|--|-----------|---------|--------------------------|-----------|--|--------------|
| UNLESS OTHERWISE SPECIFIED DIMENSION ARE IN INCHES TOLERANCES ARE: 2 PL DEC ± .02 FRACT ± 1/64 3 PL DEC ± .010 ANGLES ± 2' | | | CUSTOMER | | ULTRAVOLT, INC. 1800 OCEAN AVE. FRNT, RONKONKOMA, N.Y. 11779 1-631-471-4444 | |
| | | | DRAWN | S. Orban | | |
| | | | CHKD | D. Parant | | 3/20/02 |
| | | | MFG | N/A | | |
| | | | MFG ENGR | N/A | | |
| | | | PROCESS | N/A | | |
| | | | QA | N/A | | |
| | | | CHIEF ENG | N/A | | |
| | | | CFN: OL-001_revE_40A.dwg | | | |
| DASH NUMBER | NEXT ASSY | USED ON | PART NUMBER: | | REV | |
| APPLICATION | | | B OL-001 | | E | |
| | | | SCALE | NONE | DO NOT SCALE THIS DRAWING | SHEET 1 OF 1 |

2

1