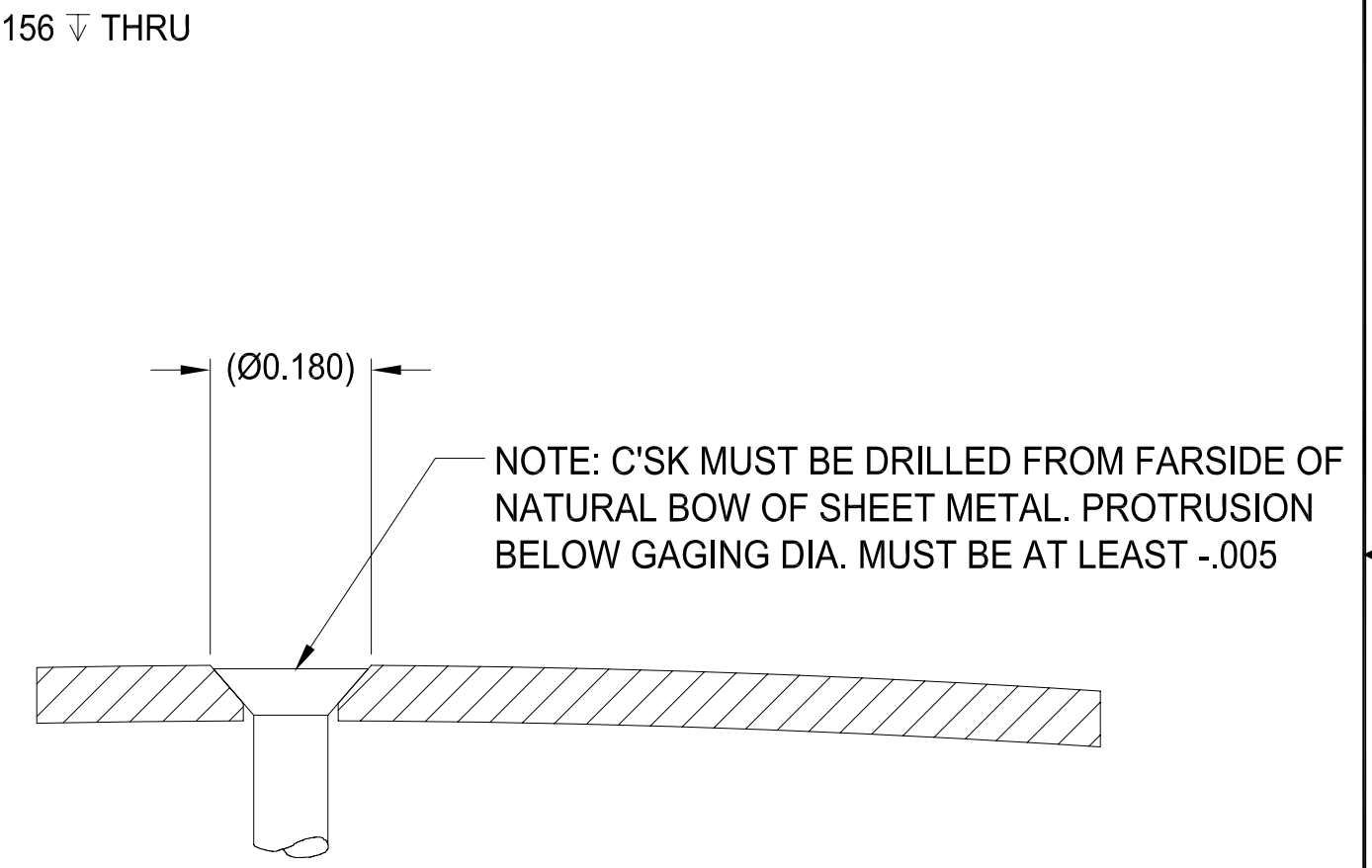
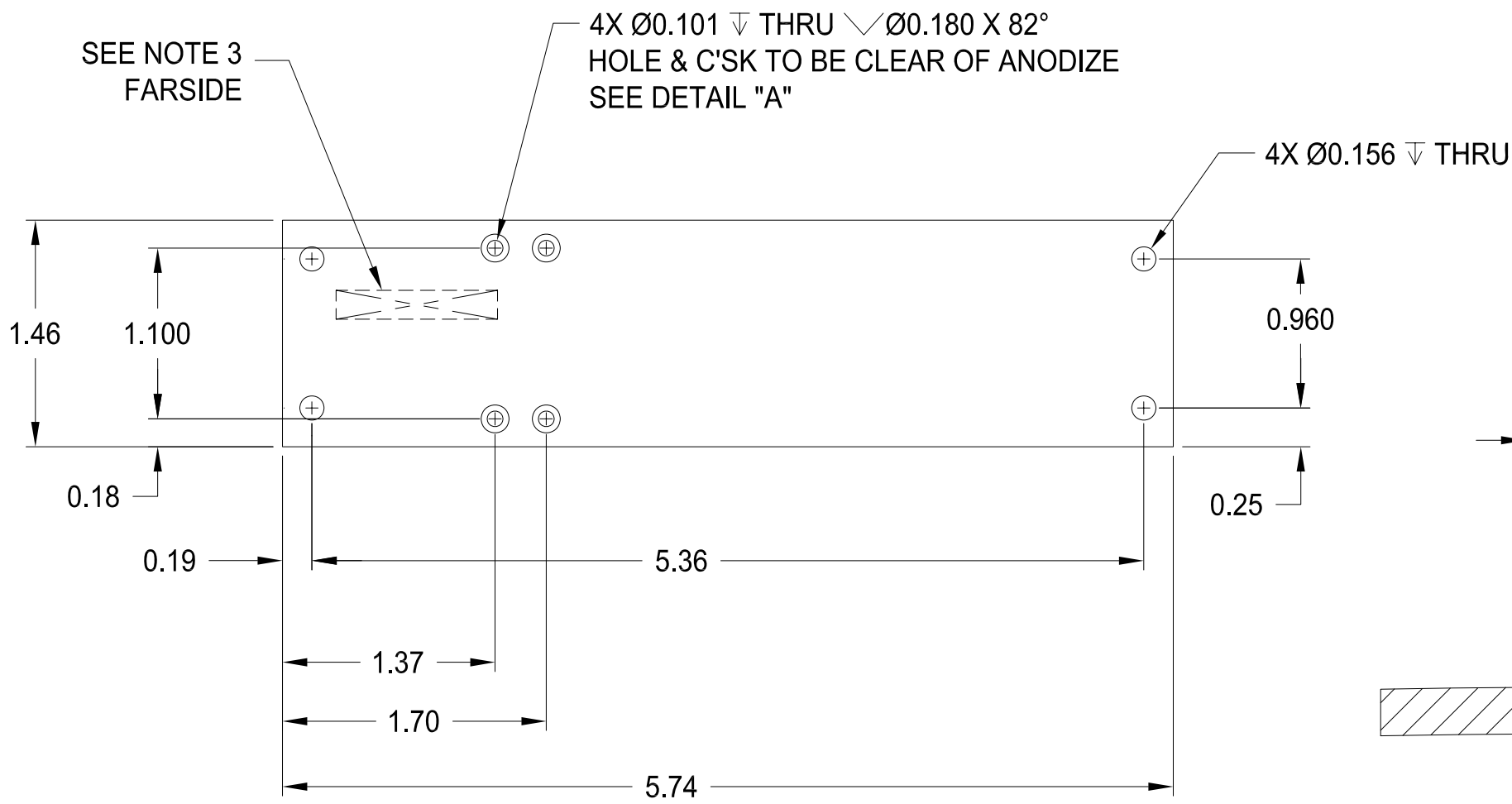


PROPRIETARY STATEMENT: ULTRAVOLT INC.
CONFIDENTIAL DRAWING

2

REVISIONS

LTR	DESCRIPTION	BY	DATE	APPD
A	NEW RELEASE	D.S.	10/4/95	J.M.
B	REVISED PER ECO # 1688	D.S.	2/18/99	J.M.
C	REVISED PER ECO # UV3094	SRO	8/14/03	D.P.
C1	REVISED PER EC-00510-UV	JC	11/15/07	SRO



DETAIL 'A'

- NOTES:
- 1- MATERIAL: 0.062 THK ALUM ALLOY 5052-H32 PER QQ-A-250/8.
 - 2- FINISH: DARK BLACK MATTE ANODIZE PER MIL-A-8625, TYPE II, CLASS 2.
 - 3- MARK PART NUMBER AND REVISION. STAMP OR USE A NON-CONDUCTIVE INDELIBLE INK, (FREE OF CARBON) CONTRASTING COLOR, OR STAMP 0.09 - 0.125 HIGH CHARACTERS LOCATE APPROXIMATELY AS SHOWN, FAR SIDE. ie. XX-XXX_revX
 - 4- REMOVE ALL BURRS AND SHARP EDGES.

UNLESS OTHERWISE SPECIFIED DIMENSION ARE IN INCHES TOLERANCES ARE:		CUSTOMER	
2 PL DEC ± .02	FRACT ± 1/64	DRAWN	D.S.
3 PL DEC ± .010	ANGLES ± 2°	CHKD	F.G.
		DATE	10/4/95
		MFG	N/A
		MFG ENGR	J.S.O.
		PROCESS	N/A
		QA	N/A
		CHIEF ENG	J.M.
		DATE	2/24/99
		CFN:	HS-103_revC1.dwg

ULTRAVOLT, INC.
1800 OCEAN AVE. FRNT, RONKONKOMA, N.Y. 11779
1-631-471-4444

HEAT SINK PLATE
"15A" & "-F" SERIES - "E" OPTION

PART NUMBER: **HS-103** REV **C1**

SCALE NONE DO NOT SCALE THIS DRAWING SHEET 1 OF 1

DASH NUMBER	NEXT ASSY	USED ON
APPLICATION		

2

1